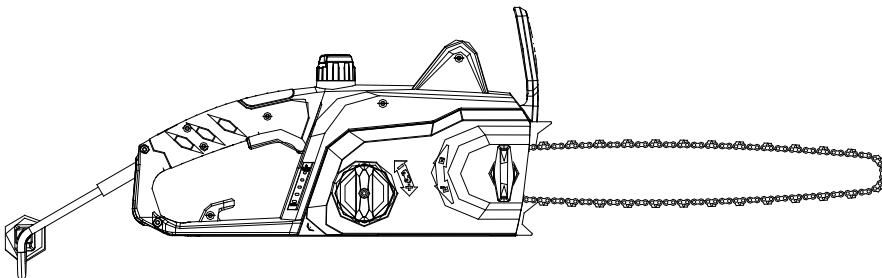



greenworks™

18" 14.5A ELECTRIC CHAINSAW

20242

054-5747-6




218549



Owner's Manual

TOLL-FREE HELPLINE: 1-888-90WORKS (888.909.6757)

 Read all safety rules and instructions carefully before operating this tool.

CONTENTS

Introduction.....	2
Specifications	2
Important Safety Instructions.....	3-5
General Safety Rules.....	6-7
Symbols.....	8-9
Electrical.....	10-11
Know Your Chainsaw	12-13
Assembly	14
Operation.....	15-26
Maintenance	27-36
Troubleshooting	37
Warranty	38
Exploded view.....	39
Parts list.....	40-41
Notes	42

SPECIFICATIONS

18" 14.5A ELECTRIC CHAIN SAW

Motor	120 V AC, 60 Hz, 14.5 Amp
Bar length	18" (45 cm)
Speed	6000 RPM (No load)
Chain pitch	3/8" (9.5 mm)
Chain gauge	0.05" (1.3 mm)
Unit weight.....	11.44 lb (5.2 kg)



IMPORTANT SAFETY INSTRUCTIONS

WARNING

Do not attempt to operate this tool until you have read all of the instructions, safety information, etc. contained in this manual thoroughly and understand them completely. Failure to comply may result in accidents involving fire, electric shock, or serious personal injury.

- Do not start cutting until you have a clear work area, secure footing, and a planned retreat path from the falling tree. Cluttered areas invite accidents.
 - Keep all children, bystanders, visitors, and animals out of the work area while starting or cutting with the chainsaw.
 - Do not operate chainsaw in an explosive atmosphere, such as in the presence of flammable liquids, gases, or dust. Power tools create sparks that may ignite the dust or fumes.
-

WARNING

Use outdoor extension cords marked SW-A, SOW-A, STW-A, STOW-A, SJW-A, SJTW-A, or SJTOW-A. These cords are rated for outdoor use, and reduce the risk of electric shock.

- Polarized Plugs. To reduce the risk of electric shock, this tool has a polarized plug (one blade is wider than the other). This plug will only fit into a polarized outlet one way. If the plug does not fit fully into the outlet, reverse the plug. If it still does not fit, contact a qualified electrician to install the proper outlet. Do not change the plug in any way.
 - Make sure your extension cord is in good condition. When using an extension cord, be sure to use one heavy enough to carry the current your product will draw. A wire gauge size (A.W.G.) of at least 14 is recommended for an extension cord 50' (15 m) or less in length. A cord exceeding 100' (30 m) is not recommended. If in doubt, use the next heavier gauge. The smaller the gauge number, the heavier the cord. An undersized cord will cause a drop in line voltage, resulting in loss of power and overheating.
 - Inspect extension cords periodically, and if damaged, have repaired by a licensed electrician. Constantly stay aware of cord location. Following this rule will reduce the risk of electric shock or fire.
 - Wear snug fitting clothing. Always wear heavy, long pants, overalls, jeans or chaps made of cut-resistant material or ones that contain cut-resistant inserts. Wear non-slip safety footwear. Wear non-slip heavy duty gloves to improve your grip and to protect your hands. Do not wear jewelry, short pants, sandals, or go barefoot. Do not wear loose-fitting clothing that could be drawn into the motor or catch the chain or underbrush. Secure hair so it is above shoulder level.
 - Heavy protective clothing may increase operator fatigue, which could lead to heat stroke.
 - During weather that is hot and humid, heavy work should be scheduled for early morning or late afternoon hours, when temperatures are cooler.
 - Wear eye protection that is marked to comply with ANSI Z87.1 as well as hearing and head protection when operating this equipment. Hearing protection should be worn.
 - Always be aware of what you are doing when using the chainsaw. Use common sense. Do not operate the chainsaw when you are tired, ill, or under the influence of alcohol, drugs, or medication.
-

IMPORTANT SAFETY INSTRUCTIONS

- Do not expose the chainsaw to rain.
- Do not use the chainsaw in damp or wet locations.
- Stay alert and pay attention to what you are doing.
- Keep all parts of your body away from the saw chain when the unit is running.
- Always carry the chainsaw by the front handle with the power cord removed and the guide bar and saw chain positioned to the rear.
- Never let anyone use your chainsaw who has not received adequate instructions in its proper use. This applies to rentals as well as privately owned saws.
- Before you start the unit, make sure the saw chain is not contacting any object.
- Stop the chain saw before setting it down.
- To avoid accidental starting, never carry the unit with your finger on the trigger switch .
- Maintain the unit with care. Keep the cutting edge sharp and clean for best performance and to reduce the risk of injury. Follow instructions for lubricating and changing accessories.
- Keep handles dry, clean, and free of oil and grease.
- Do not operate a chainsaw with one hand! Use a firm grip with thumbs and fingers encircling the chainsaw handles. Serious injury to the operator, helpers, bystanders, or any combination of these persons may result from one-handed operation. A chainsaw is intended for two-handed use.
- Avoid body contact with grounded surfaces such as metal pipes and wire fences. There is an increased risk of electric shock if your body is grounded.
- Do not operate a chainsaw that is damaged, improperly adjusted, or not completely and securely assembled. Chain should slow to a stop when the trigger switch is released. If the chain continues to turn after the trigger switch has been released, have the unit serviced by your nearest GreenWorks™ service dealer.
- Check for damaged parts, misalignment or binding of moving parts, broken parts and mountings, and any other condition that may affect the operation of the tool.
- All chainsaw service, other than the items listed in the operation and maintenance sections, should be performed by your nearest GreenWorks™ service dealer.
- Always maintain a proper stance.
- Do not use chainsaw if switch does not turn it on and off. Have defective switch replaced by authorized service centre.
- Do not adapt your chainsaw to a bow guide or use it to power any attachments or devices not listed for the saw.
- Disconnect chainsaw from power supply when not in use, before servicing, and when making adjustments and changing attachments, such as saw chain and bar.
- Do not cut vines and/or small underbrush.
- Do not operate a chainsaw in a tree, on a ladder, or on scaffolding. Doing so is extremely dangerous.

NOTE: The size of the work area depends on the job being performed as well as the size of the tree or workpiece involved. For example, felling a tree requires a larger work area than making bucking cuts.

IMPORTANT SAFETY INSTRUCTIONS

- Use extreme caution when cutting small brush and saplings, because small material may catch the saw chain and be whipped toward you or pull you off balance.
- When cutting a limb that is under tension, be alert for spring back, so that you will not be struck when the tension in the wood fibers is released.
- Do not force the chainsaw. The job can be performed better if the saw is used at the rate that it was designed to work at.
- Always use the right product for your application. The chainsaw should be used for cutting wood only. Never use the chainsaw to cut plastic, masonry or non-wooden building materials.
- Do not use the chainsaw for purposes other than what it is intended for.
- Store chainsaw when not in use. Chainsaw should be stored in a dry and high or locked area, out of the reach of children.
- **Save these instructions.** Refer to them frequently, and use them to instruct others who may use this tool. If you loan someone this tool, also loan them these instructions.

⚠ WARNING (Proposition 65)

Some dust created by power sanding, sawing, grinding, drilling, and other construction activities contains chemicals known to cause cancer, birth defects or other reproductive harm. Some examples of these chemicals are:

- lead from lead-based paints
- crystalline silica from bricks and cement and other masonry products, and
- arsenic and chromium from chemically treated lumber.

Your risk of exposure to these chemicals varies depending on how often you do this type of work. To reduce your exposure to these chemicals, work in a well-ventilated area, and work with approved safety equipment, such as dust masks that are specially designed to filter out microscopic particles.

SAVE THESE INSTRUCTIONS

GENERAL SAFETY RULES

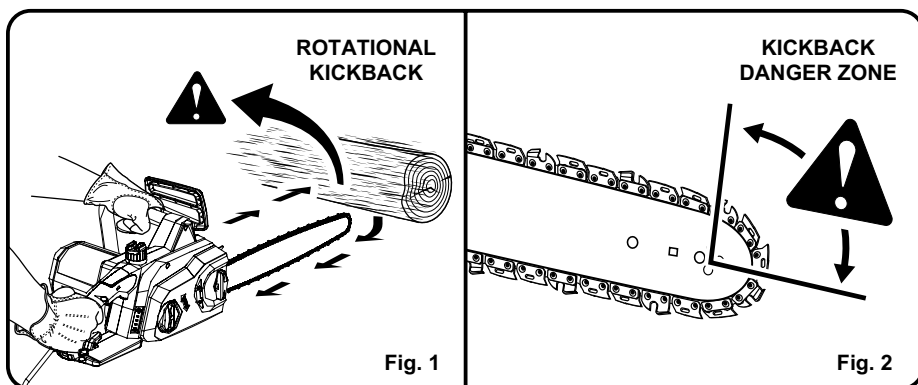
KICKBACK (See Fig. 1 - 2.)

⚠ WARNING

Kickback may occur when the moving chain contacts an object at the upper portion of the tip of the guide bar, or when the wood closes in and pinches the saw chain in the cut. Contact at the upper portion of the tip of the guide bar can cause the chain to dig into the object and stop the chain for an instant. The result is a lightning fast reverse reaction that kicks the guide bar up and back toward the operator. If the saw chain is pinched along the top of the guide bar, the guide bar can be driven rapidly back toward the operator. Either of these reactions can cause loss of saw control, which can result in serious injury. Do not rely exclusively on the safety devices built into the saw. As a chainsaw user, you should take several steps to keep your cutting jobs free from accident or injury.

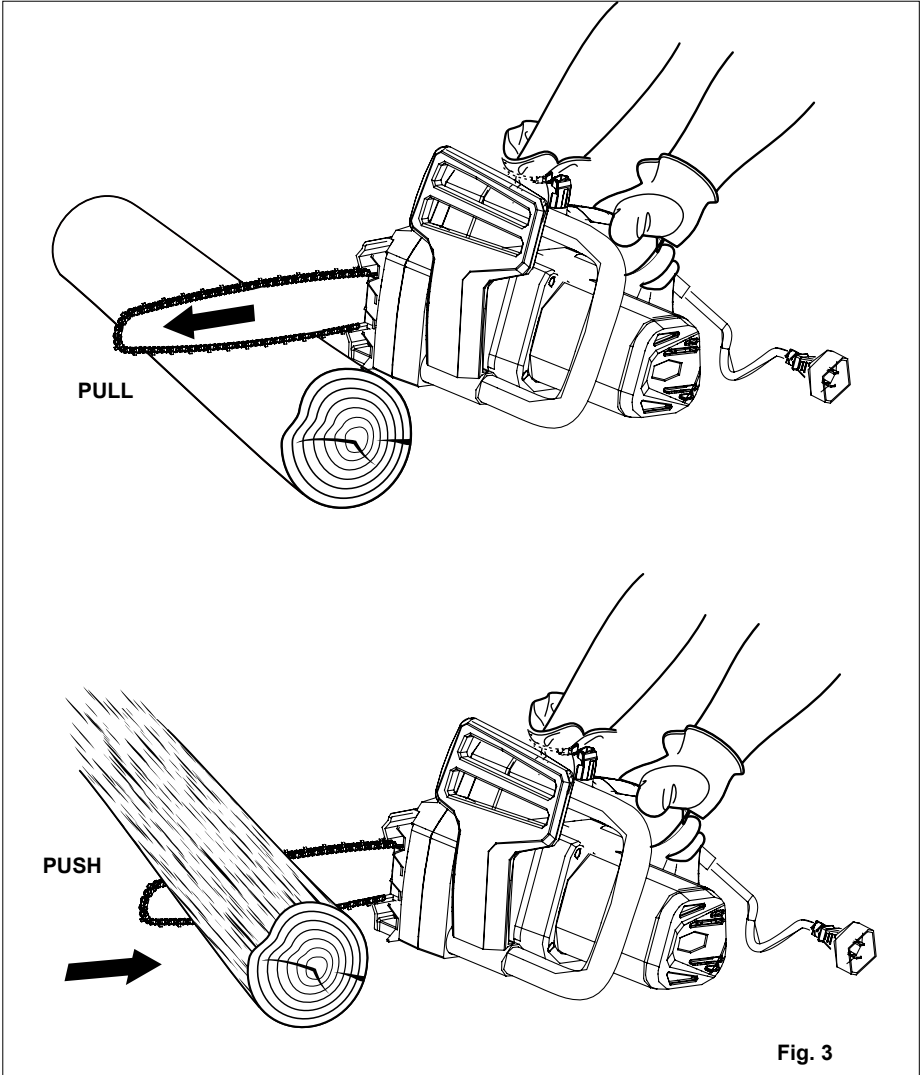
THE FOLLOWING PRECAUTIONS SHOULD BE FOLLOWED TO MINIMIZE KICKBACK:

1. Always grip the saw firmly with both hands. Hold the saw firmly with both hands when the unit is running. Place your right hand on the rear handle and your left hand on the front handle, with your thumbs and fingers encircling the chain saw handles. A firm grip and a stiff left arm will help you maintain control of the saw if kickback occurs.
 2. Make sure that the area in which you are cutting is free of obstructions. Do not let the nose of the guide bar contact a log, branch, fence, or any other obstruction that could be hit while you are operating the saw.
 3. Always cut with the unit running. Fully squeeze the trigger switch and maintain cutting speed.
 4. Use only the replacement guide bars and low-kickback chains specified by the manufacturer for the saw.
- With a basic understanding of kickback, you can reduce or eliminate the element of surprise. Sudden surprise contributes to accidents.
 - Keep proper footing and balance at all times.
 - Do not cut above shoulder height or overreach when cutting.
 - Follow the sharpening and maintenance instructions for the saw chain.














GENERAL SAFETY RULES

- Push and Pull — This reaction force is always opposite to the direction the chain is moving where contact is made with the wood. Thus, the operator must be ready to control the PULL when cutting on the bottom edge of the bar, and the PUSH when cutting along the top edge. (See Fig. 3)







SYMBOLS

Some of the following symbols may be used on this product. Please study them and learn their meaning. Proper interpretation of these symbols will allow you to operate the product better and safer.

SYMBOL	NAME	DESIGNATION/EXPLANATION
V	Volts	Voltage
A	Amperes	Current
Hz	Hertz	Frequency (cycles per second)
W	Watts	Power
min	Minutes	Time
~	Alternating Current	Type of current
—	Direct Current	Type or a characteristic of current
n_0	No Load Speed	Rational speed, at no load
	Class II Construction	Double-insulated construction
/min	Per Minute	Revolutions, strokes, surface speed, orbits etc., per minute
	Wet Conditions Alert	Do not expose to rain or use in damp locations
	Read The Operator's Manual	To reduce the risk of injury user must read and understand operator's manual before using this product.
	Eye, Hearing, and Head Protection	Wear eye, hearing, and head protection when operating this equipment.
	Safety Alert	Precautions that involve your safety.
	Operate With Two Hands	Hold and operate the saw properly with both hands.
	Kickback	DANGER! Beware of kickback.
	Bar Nose Contact	Avoid bar nose contact.
	Wear Gloves	Wear non-slip, heavy-duty protective gloves when handling the chainsaw.
	Wear Safety Footwear	Wear non-slip safety footwear when using this equipment.
	Keep Bystanders Away	Keep all bystanders at least 50 ft. away.

SYMBOLS

The following signal words and meanings are intended to explain the levels of risk associated with this product.

SYMBOL	SIGNAL	MEANING
	DANGER	Indicates an imminently hazardous situation, which, if not avoided, will result in death or serious injury.
	WARNING	Indicates a potentially hazardous situation, which, if not avoided could result in death or serious injury.
	CAUTION	Indicates a potentially hazardous situation, which, if not avoided may result in minor or moderate injury.
	CAUTION	Without Safety Alert Symbol) Indicates a situation that may result in property damage

WARNING

To avoid serious personal injury, do not attempt to use this product until you have read this Owner's Manual thoroughly and understand it completely. If you do not understand the warnings and instructions in this Owner's Manual, do not use this product. Call the Toll-free Helpline (1-888-909-6757) for assistance.

WARNING



The operation of any power tool can result in foreign objects being thrown into your eyes, which can result in severe eye damage. Before beginning power tool operation, always wear safety goggles or safety glasses with side shields and, when needed, a full face shield. We recommend Wide Vision Safety Mask for use over eyeglasses or standard safety glasses with side shields. Always use eye protection which is marked to comply with ANSI Z87.1.

ELECTRICAL

DOUBLE INSULATION

Double insulation is a concept in safety in electric power tools, which eliminates the need for the usual three-wire grounded power cord. All exposed metal parts are isolated from the internal metal motor components with protecting insulation. Double insulated tools do not need to be grounded.

NOTE: Servicing of a product with double insulation requires extreme care and knowledge of the system and should be performed only by a qualified service technician. For service, we suggest you return the product to your nearest authorized service center for repair. Always use original factory replacement parts when servicing.

⚠ WARNING

The double insulated system is intended to protect the user from shock resulting from a break in the tool's internal insulation. Observe all normal safety precautions to avoid electrical shock.

ELECTRICAL CONNECTION

This product has a precision-built electric motor. It should be connected to a power supply that is 120V, AC only (normal household current), 60 Hz. Do not operate this product on direct current (DC). A substantial voltage drop will cause a loss of power and the motor will overheat. If the product does not operate when plugged into an outlet, double-check the power supply.

EXTENSION CORDS (See Figure 4)

When using a power tool at a considerable distance from a power source, be sure to use an extension cord that has the capacity to handle the current the product will draw. An undersized cord will cause a drop in line voltage, resulting in overheating and loss of power. Use the chart to determine the minimum wire size required in an extension cord. Only round jacketed cords listed by Underwriter's Laboratories (UL) should be used.

When working outdoors with a product, use an extension cord that is designed for outside use. This type of cord is designated with "W-A" or "W" on the cord's jacket.

Before using any extension cord, inspect it for loose or exposed wires and cut or worn insulation.

A proper extension cord is available at an authorized service center.

It is possible to tie the extension cord and power cord in a knot to prevent them from becoming disconnected during use. Make the knot as shown in figure 5, then connect the plug end of the power cord into the receptacle end of the extension cord. This method can also be used to tie two extension cords together.

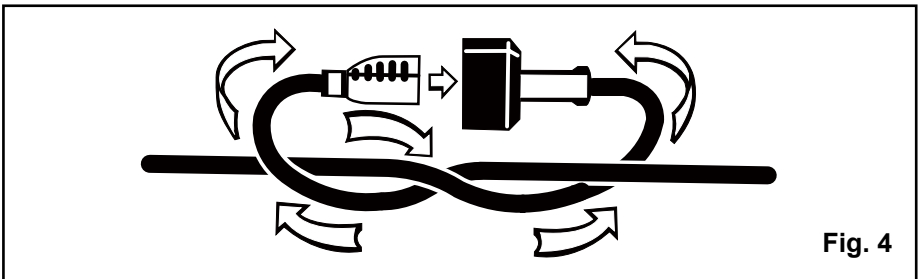


Fig. 4

ELECTRICAL

**Ampere rating (on product data plate)

	0-2.0	2.1-3.4	3.5-5.0	5.1-7.0	7.1-12.0	12.1-16.0
Cord Length	Wire Size (A.W.G.)					
25'	16	16	16	16	14	14
50'	16	16	16	14	14	12
100'	16	16	14	12	10	—

**Used on 12 gauge - 20 amp circuit.

NOTE: AWG = American Wire Gauge

WARNING

Keep the extension cord clear of the working area. Position the cord so that it will not get caught on lumber, tools, or other obstructions while you are working with a power tool. Failure to do so can result in serious personal injury.

WARNING

Check extension cords before each use. If damaged replace immediately. Never use the product with a damaged cord since touching the damaged area could cause electrical shock resulting in serious injury.

KNOW YOUR CHAINSAW

Read this operator's manual and safety rules before operating your lawn mower. Compare the illustration in Figure 5 to your chainsaw in order to familiarize yourself with the location of various controls and adjustments. Save this manual for future reference.

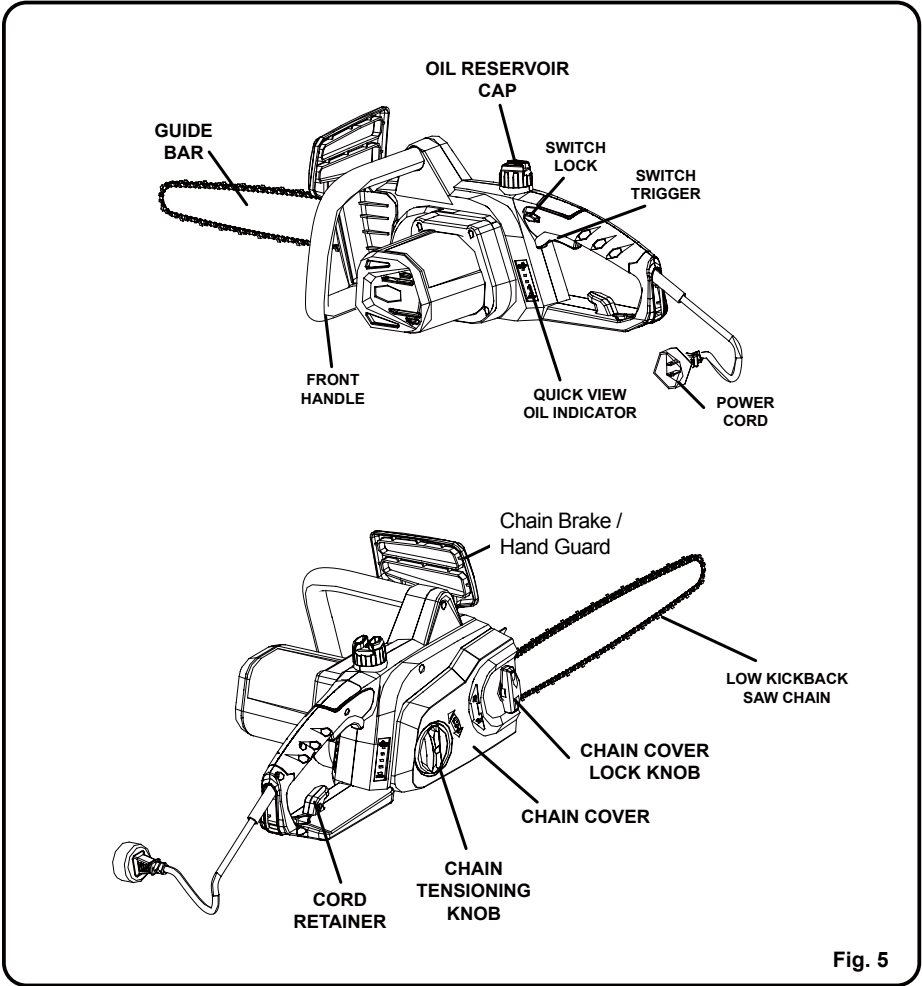


Fig. 5

KNOW YOUR CHAINSAW

The safe use of this product requires an understanding of the information on the tool and in this Owner's Manual, as well as a knowledge of the project you are attempting. Before using this product, familiarize yourself with all operating features and safety rules. (See Fig. 5)

CHAIN TENSIONING KNOB

This feature allows user to adjust the tension of the chain.

GUIDE BAR

The factory-equipped guide bar has a small radius tip that offers a somewhat lower kickback potential.

LOW-KICKBACK SAW CHAIN

The low-kickback saw chain helps minimize the force of a kickback reaction by preventing the cutters from digging in too deeply at the kickback zone.

QUICK-VIEW OIL INDICATOR

Semi-transparent oil reservoir that allows user to see when to add oil.

SWITCH LOCK

A control feature designed to prevent the motor from being started accidentally..

TRIGGER SWITCH

Squeeze the trigger switch to operate the unit after switch lock has been pushed in. Release the trigger switch to stop the unit.

MECHANICAL CHAIN BRAKE

Safety feature designed to stop a moving chain in a fraction of a second if kickback occurs, reducing the chances of severe injury.

ASSEMBLY

UNPACKING

This product has been shipped completely assembled.

- Carefully remove the product and any accessories from the box. Make sure that all items listed in the packing list are included.
- Inspect the product carefully to make sure no breakage or damage occurred during shipping.
- Do not discard the packing material until you have carefully inspected and satisfactorily operated the product.
- If any parts are damaged or missing, please call 1-888-909-6757 for assistance.

PACKING LIST

- Chainsaw
- Scabbard
- Owner's Manual

W A R N I N G

If any parts are damaged or missing, do not operate this product until the parts are replaced. Failure to heed this warning could result in serious personal injury.

W A R N I N G

Do not connect to power supply until assembly is complete. Failure to comply could result in accidental starting and possible serious personal injury.

W A R N I N G

Do not attempt to modify this product or create accessories not recommended for use with this product. Any such alteration or modification is misuse, and could result in a hazardous condition leading to possible serious personal injury.

OPERATION

⚠ WARNING

Do not allow familiarity with this product to make you careless. Remember that a careless fraction of a second is sufficient to inflict serious injury.

⚠ WARNING

Always wear safety goggles or safety glasses with side shields that comply with ANSI Z87.1 when operating power tools. Failure to do so could result in objects being thrown into your eyes, resulting in possible serious injury.

⚠ WARNING

Do not use any attachments or accessories not recommended by the manufacturer of this product. The use of attachments or accessories not recommended can result in serious personal injury.

APPLICATIONS

You can use this product for the purposes listed below:

- Basic limbing, felling, and woodcutting
- Removing buttress roots

ADDING BAR AND CHAIN LUBRICANT (See Fig. 6)

Use a lubricant that is designed for chains and chain oilers, and is formulated to perform over a wide temperature range with no dilution required.

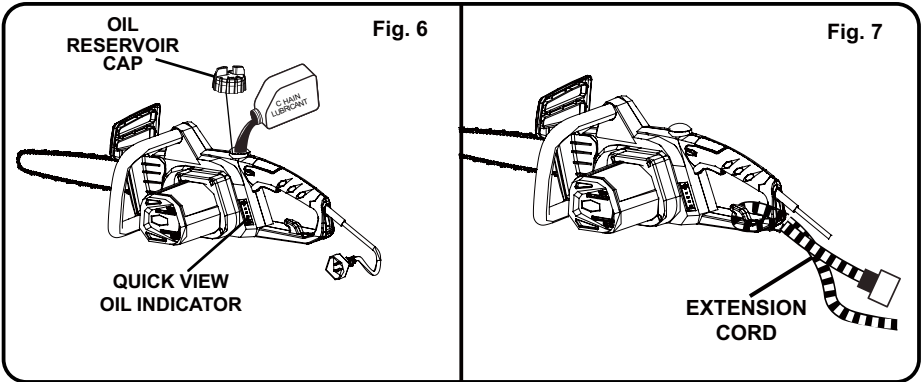
NOTE: The chainsaw comes from the factory with no bar and chain oil added. Level should also be checked after every 20 minutes of use, and refilled as needed.

- Remove oil cap.
- Carefully pour the bar and chain oil into the tank.
- Wipe off excess oil.
- Check and fill the oil tank when quick-view oil indicator is below the MIN. line.
- Repeat as needed.

NOTE: Do not use dirty, used or otherwise contaminated oils. Damage may occur to the bar or chain.

NOTE: It is normal for oil to seep from the saw when not in use. To prevent seepage, empty the oil tank after each use, then run for one minute. When storing the unit for a long period of time (three months or longer), be sure the chain is lightly lubricated. This will prevent rust on the chain and bar sprocket.

OPERATION



CONNECTING TO POWER SUPPLY (See Fig. 7)

This chainsaw is designed with a cord retainer that prevents the extension cord from being pulled loose while using.

- Form a loop with the end of the extension cord.
- Insert loop portion of extension cord through the opening in the side of the rear handle, and place over cord retainer.
- Slowly pull loop against cord retainer until the slack is removed.
- Plug chainsaw into extension cord.

NOTE: Failure to remove all excess cord slack from extension cord retainer could result in plug loosening from receptacle.

STARTING AND STOPPING THE CHAINSAW (See Fig. 8)

⚠ WARNING

Keep body to the left of the chain line. Never straddle the saw or chain, or lean over past the chain line.

OPERATION

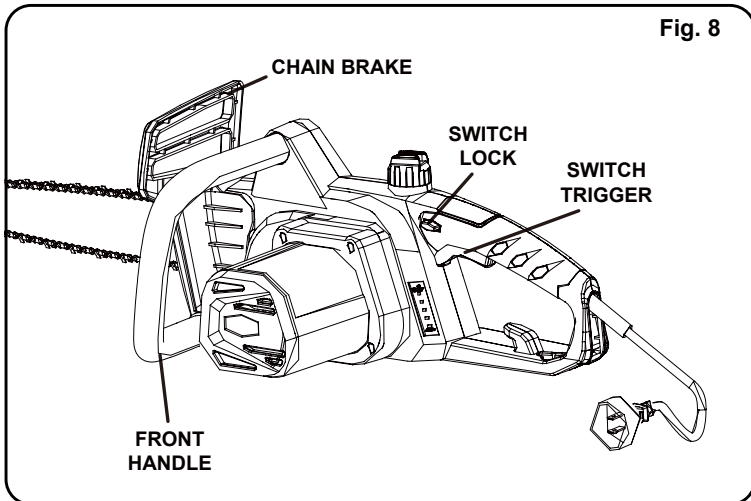
Starting the chain saw:

- Make sure chain tension is at desired setting. Refer to Adjusting the Chain Tension in the Maintenance section of this manual.
- Make sure the chain cover lock knob is tight to the chain cover.
- Make sure no objects or obstructions are in immediate vicinity which could come into contact with the bar and chain.
- Press and hold the switch lock. This makes the trigger switch operational.
- Press and hold the switch trigger, release the switch lock, and continue to squeeze the trigger switch for continued operation.

Stopping the chainsaw:

NOTE: Once the trigger switch is released, the mechanical brake will engage stopping the chain.

- Release the switch trigger to stop the chainsaw.
- Upon release of the switch trigger, the switch lock will be automatically reset to the lock position.
- This chain saw is equipped with a mechanical chain brake which is designed to stop a moving chain in a fraction of a second if kickback occurs, reducing the chances of severe injury. To manually engage the chain brake push the chain brake forward. This action will lock the chain from moving; to release the chain brake, pull the brake toward the handle. This will reset the chain brake.



OPERATION

PREPARING FOR CUTTING

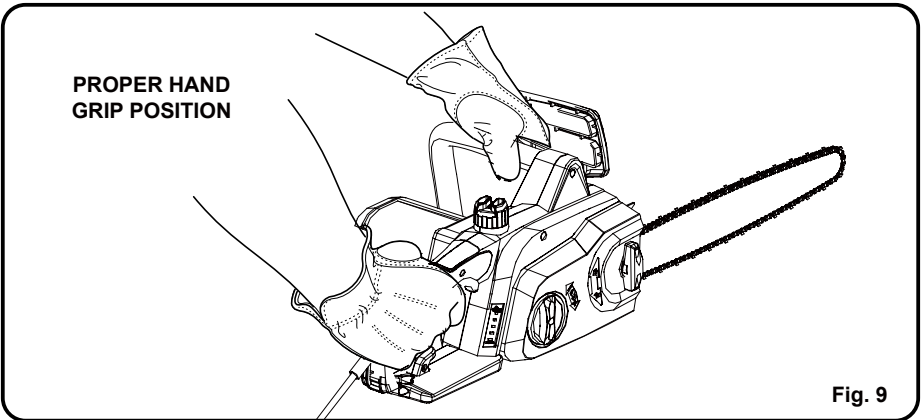
PROPER GRIP ON HANDLES (See Fig. 9)

See General Safety Rules for appropriate safety equipment.

- Wear non-slip gloves for maximum grip and protection.
- Hold the saw firmly with both hands. Always keep your left hand on the front handle and your right hand on the rear handle so that your body is to the left of the chain line.
- Maintain a proper grip on the saw whenever the motor is running. The fingers should encircle the handle, with the thumb wrapped under the handlebar. This grip is least likely to be broken by a kickback or other sudden reaction of the saw. Any grip in which the thumb and fingers are on the same side of the handle is dangerous, because a slight kick of the saw can cause loss of control.

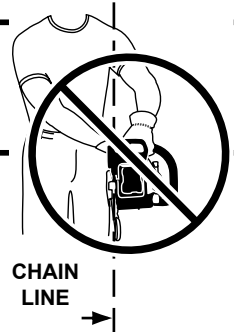
⚠ WARNING

Never use a left-handed (cross-handed) grip or any stance that would place your body or arm across the chain line.



⚠ WARNING

DO NOT operate the switch trigger with your left hand and hold the front handle with your right hand. Never allow any part of your body to be in the chain line while operating a saw.



OPERATION

PROPER CUTTING STANCE (See Fig. 10)

- Balance your weight with both feet on solid ground.
- Keep left arm with elbow locked in a “straight arm” position to withstand any kickback force.
- Keep your body to the left of the chain line.
- Keep your thumb on underside of handlebar.

BASIC OPERATING/CUTTING PROCEDURES

Practice cutting a few small logs using the following technique to get the “feel” of using the saw before you begin a major sawing operation.

- Take the proper stance in front of the wood.
- Press the switch lock and squeeze the switch trigger, then release switch lock and let the chain accelerate to full speed before entering the cut.
- Begin cutting with the saw against the log.
- Keep the unit running the entire time you are cutting, maintain a steady speed.
- Allow the chain to cut for you; exert only light downward pressure. Forcing the cut could result in damage to the bar, chain, or motor.
- Release the trigger switch as soon as the cut is completed, allowing the chain to stop. If you run the saw without a cutting load, unnecessary wear can occur to the chain, bar, and unit.
- Do not put pressure on the saw at the end of the cut.

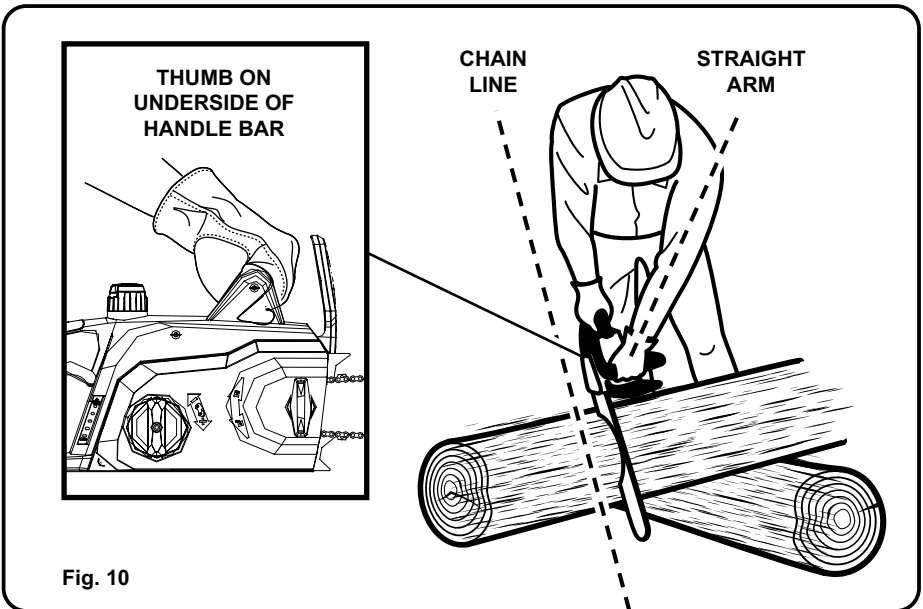


Fig. 10

OPERATION

WORK AREA PRECAUTIONS *(See Fig. 11)*

- Cut only wood or materials made from wood; no sheet metal, no plastics, no masonry, no non-wooden building materials.
- Never allow children to operate the saw. Allow no person to use this chainsaw who has not read this Owner's Manual or received adequate instructions for the safe and proper use of this chainsaw.
- Keep everyone – helpers, bystanders, children, and animals – at SAFE DISTANCE from the cutting area. During felling operations, the safe distance should be a least twice the height of the largest trees in the felling area. During bucking operations, keep a minimum distance of 15' (4.6 m) between workers.
- Always cut with both feet on solid ground to prevent being pulled off balance.
- Do not cut above chest height, because a saw held higher is difficult to control against kickback forces.
- Do not fell trees near electrical wires or buildings. Leave this operation for professionals.
- Cut only when visibility and light are adequate for you to see clearly.



Fig. 11

FELLING TREES

HAZARDOUS CONDITIONS *(See Fig. 12)*

When felling a tree, it is important that you heed the following warnings to prevent possible serious injury

OPERATION

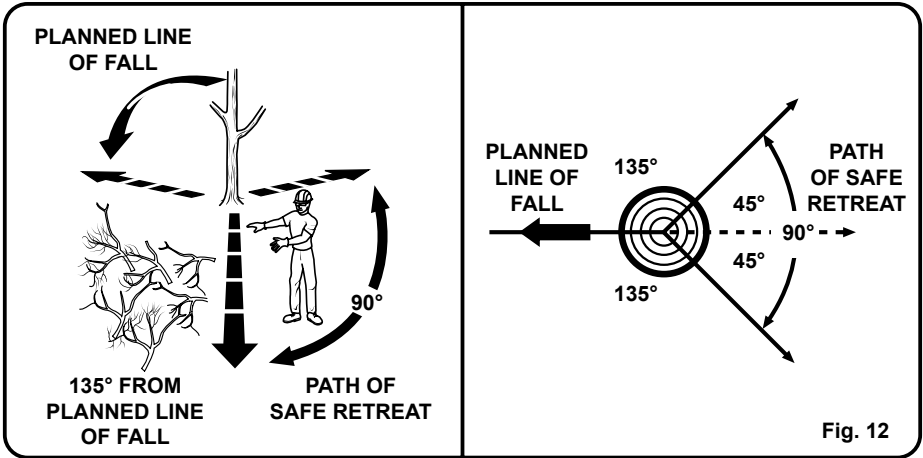


Fig. 12

- Do not cut down trees having an extreme lean, or large trees with rotten limbs, loose bark or hollow trunks. Have these trees pushed or dragged down with heavy equipment, then cut them up.
- Do not cut trees near electrical wires or buildings
- Check the tree for damaged or dead branches that could fall and hit you during felling
- Periodically glance at the top of the tree during the backcut to assure the tree is going to fall in the desired direction
- If the tree starts to fall in the wrong direction, or if the saw gets caught or hung up during the fall, leave the saw and save yourself!

⚠ WARNING

Do not fell trees during periods of high wind or heavy precipitation. Wait until the hazardous weather has ended.

PROPER PROCEDURE FOR TREE FELLING (See Fig. 13)

- Felling a tree — When bucking and felling operations are being performed by two or more persons at the same time, the felling operations should be separated from the bucking operation by a distance of at least twice the height of the tree being felled. Trees should not be felled in a manner that would endanger any person, strike any utility line, or cause any property damage. If the tree does make contact with any utility line, the utility company should be notified immediately.
- Operator should keep on the uphill side of terrain as the tree is likely to roll or slide after it is felled.
- Pick your escape route (or routes in case the intended route is blocked). Clear the immediate area around the tree and make sure there are no obstructions in your planned path of retreat. Clear the path of safe retreat approximately 135° from the planned line of fall.

OPERATION

- Consider the force and direction of the wind, the lean and balance of the tree, and the location of large limbs. These things influence the direction in which the tree will fall. Do not try to fell a tree along a line different from its natural line of fall.
- Remove dirt, stones, loose bark, nails, staples, and wire from the tree where felling cuts are to be made.

Notched Undercut:

- Cut a notch about 1/3 the diameter of the trunk in the side of the tree. Make the notch cuts so they intersect at a right angle to the line of fall. This notch should be cleaned out to leave a straight line. To keep the weight of the wood off the saw, always make the lower cut of the notch before the upper cut.

Felling Backcut:

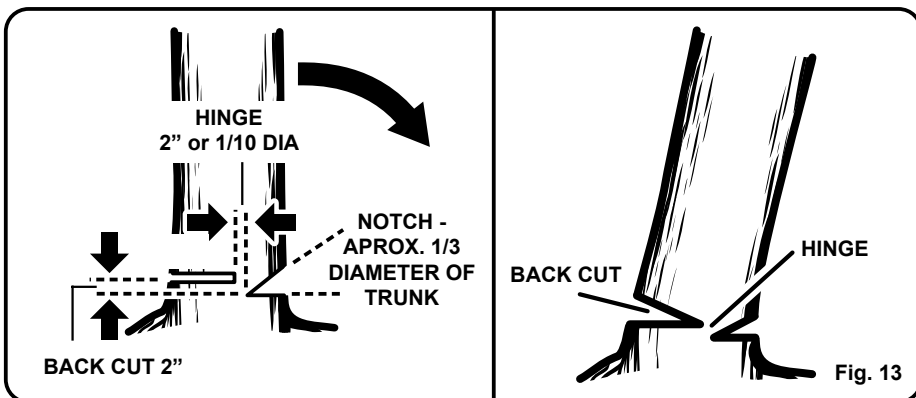
- As the felling cut gets close to the hinge, the tree should begin to fall. If there is any chance the tree may not fall in the desired direction or it may rock back and bind the saw chain, stop cutting before the felling cut is complete, and use wedges of wood, plastic or aluminum to open the cut and drop the tree along its desired line of fall. Make the backcut level and horizontal, at least 2" (5 cm) above the horizontal cut of the notch.

NOTE: Never cut through to the notch. Always leave a band of wood between the notch and back cut (approximately 2" (5 cm) or 1/10 the diameter of the tree). This is called "hinge" or "hingewood." It controls the fall of the tree, and prevents slipping or twisting or shootback of the tree off the stump.

- On large diameter trees, stop the back cut before it is deep enough for the tree to either fall or settle back on the stump. Then insert soft wooden or plastic wedges into the cut so they do not touch the chain. Drive wedges in, little by little, to help jack the tree over.
- As tree starts to fall, stop the chainsaw and put it down immediately. Retreat along the cleared path, but watch the action in case something falls your way.

⚠ WARNING

Never cut through to the notch when making a back cut. The hinge controls the fall of the tree. This is the section of wood between the notch and backcut.



OPERATION

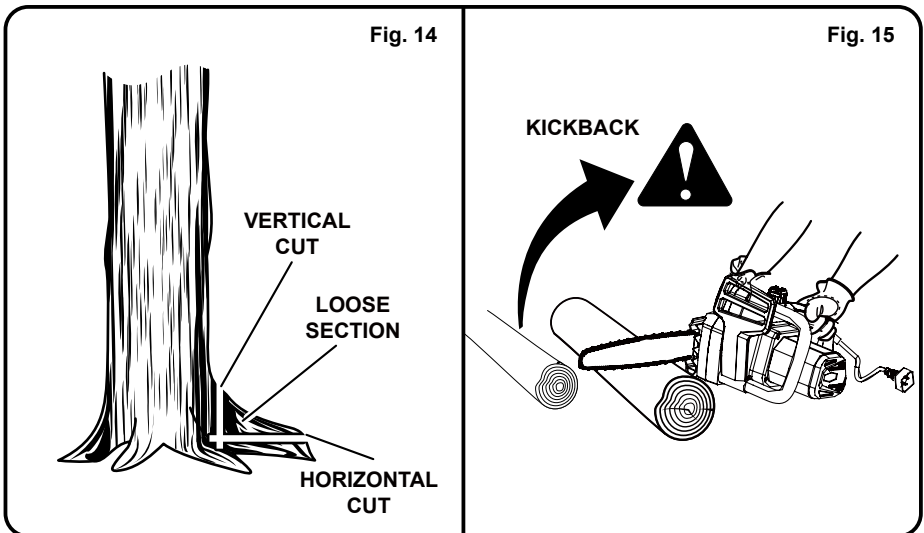
REMOVING BUTTRESS ROOTS (See Fig. 14)

A buttress root is a large root extending from the trunk of the tree above the ground. Remove large buttress roots prior to felling. Make the horizontal cut into the buttress first, followed by the vertical cut. Remove the resulting loose section from the work area. Follow the correct tree felling procedure as stated in Proper Procedure For Tree Felling after you have removed the large buttress roots.

BUCKING (See Fig. 15)

Bucking is the term used for cutting a fallen tree to the desired log length.

- Always make sure your footing is secure and your weight is distributed evenly on both feet.
- Cut only one log at a time.
- Support small logs on a saw horse or another log while bucking.
- Keep a clear cutting area. Make sure no objects can contact the guide bar nose and chain during cutting, because this can cause kickback.
- When bucking on a slope, always stand on the uphill side of the log. To maintain complete control of the chainsaw when cutting through the log, release the cutting pressure near the end of the cut without relaxing your grip on the chainsaw handles. Do not let the chain contact the ground. After completing the cut, wait for the saw chain to stop before you move the chainsaw. Always stop the motor before moving from tree to tree.



OPERATION

BUCKING WITH A WEDGE (See Fig. 16)

If the wood diameter is large enough for you to insert a soft bucking wedge without touching the chain, you should use the wedge to hold the cut open to prevent pinching.

BUCKING LOGS UNDER STRESS (See Fig. 17)

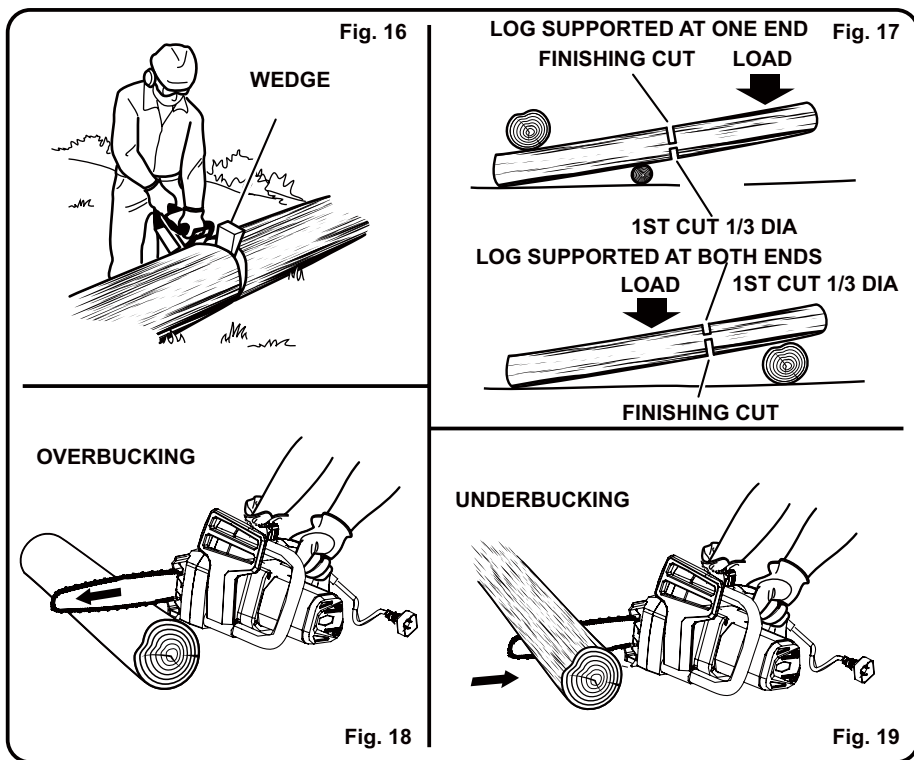
Make the first bucking cut 1/3 of the way through the log, and finish with a 2/3 cut on the opposite side. As you cut the log, it will tend to bend. The saw can become pinched or hung in the log if you make the first cut deeper than 1/3 of the diameter of the log. Give special attention to logs under stress to prevent the bar and chain from pinching.

OVERBUCKING (See Fig. 18)

Begin on the top side of the log with the bottom of the saw against the log; exert light pressure downward. Note that the saw will tend to pull away from you.

UNDERBUCKING (See Fig. 19)

Begin on the under side of the log with the top of the saw against the log; exert light pressure upward. During underbucking, the saw will tend to push back at you. Be prepared for this reaction, and hold the saw firmly to maintain control.



OPERATION

LIMBING (See Fig. 20)

Limbing is removing branches from a fallen tree.

- Work slowly, keeping both hands on the chainsaw with a firm grip. Always make sure your footing is secure and your weight is distributed evenly on both feet.
- Leave the larger support limbs under the tree to keep the tree off the ground while cutting.
- Limbs should be cut one at a time. Remove the cut limbs from the work area often to help keep the work area clean and safe.
- Branches under tension should be cut from the bottom up to avoid binding the chainsaw.
- Keep the tree between you and the chainsaw while limbing. Cut from the side of the tree opposite the branch you are cutting.

PRUNING (See Fig. 21)

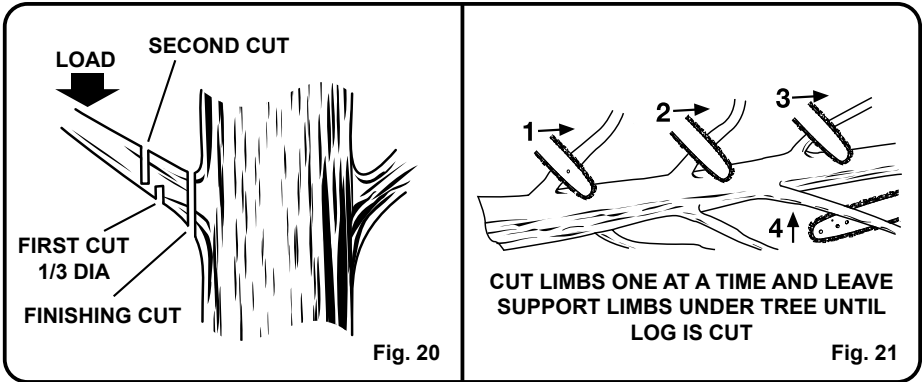
Pruning is trimming limbs from a live tree.

- Work slowly, keeping both hands on the chainsaw with a firm grip. Always make sure your footing is secure and your weight is distributed evenly on both feet.
- Do not cut from a ladder. This is extremely dangerous. Leave this operation for professionals.
- Do not cut above chest height, because a saw held higher is difficult to control against kickback.
- When pruning trees, it is important not to make the finishing cut next to the main limb or trunk until you have cut off the limb further out to reduce the weight. This prevents stripping the bark from the main member.
- Underbuck the branch 1/3 through for your first cut.
- Your second cut should overbuck to drop the branch off.
- Now make your finishing cut smoothly and neatly against the main member so the bark will grow back to seal the wound.

⚠ WARNING

Never cut through to the notch when making a back cut. The hinge controls the fall of the tree. This is the section of wood between the notch and backcut.

OPERATION

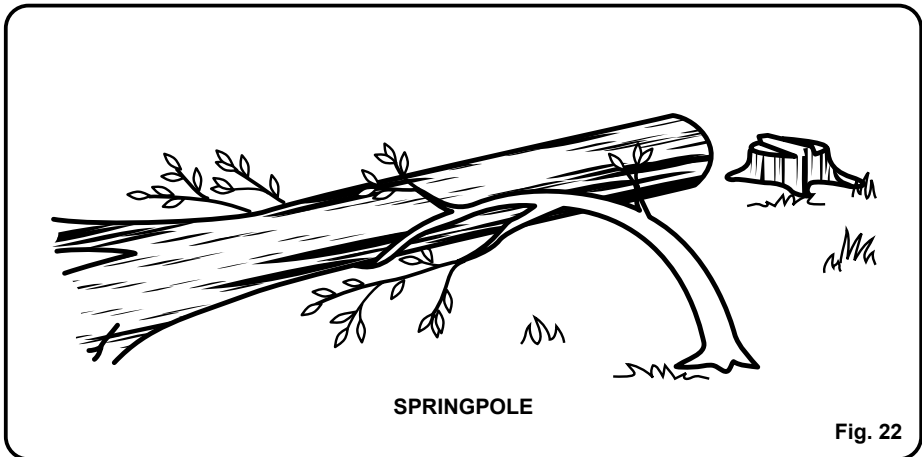


CUTTING SPRINGPOLES (See Fig. 22)

A springpole is any log, branch, rooted stump, or sapling that is bent under tension by other wood, so that it springs back if the wood holding it is cut or removed. On a fallen tree, a rooted stump has a high potential of springing back to the upright position during the bucking cut to separate the log from the stump. Watch out for springpoles — they are dangerous.

⚠ WARNING

Springpoles are dangerous, and could strike the operator, causing the operator to lose control of the chainsaw. This could result in severe or fatal injury to the operator.



MAINTENANCE

⚠ WARNING

When servicing, use only identical GreenWorks™ replacement parts. Use of any other parts may create a hazard or cause product damage.

⚠ WARNING

Always wear safety goggles or safety glasses with side shields that complies with ANSI Z87.1 during power tool operation or when blowing dust. If operation is dusty, also wear a dust mask.

GENERAL MAINTENANCE

Avoid using solvents when cleaning plastic parts. Most plastics are susceptible to damage from various types of commercial solvents. Use a clean cloth to remove dirt, dust, lubricant, grease, etc.

⚠ WARNING

Do not let brake fluids, gasoline, petroleum-based products, penetrating lubricants, etc., come into contact with plastic parts at any time. Chemicals can damage, weaken or destroy plastic, which may result in serious personal injury.

LUBRICATION

All of the bearings in this product are lubricated with a sufficient amount of high-grade lubricant for the life of the unit under normal operating conditions. Therefore, no further lubrication is required.

MAINTENANCE

REPLACING THE GUIDE BAR AND CHAIN (See Fig. 23 - 28.)

D A N G E R

Never start the motor before installing the guide bar, chain, chain cover, and chain cover lock knob. Without all these parts in place, the clutch can fly off or explode, exposing the user to possible serious injury.

W A R N I N G

To avoid serious personal injury, read and understand all the safety instructions in this section.

W A R N I N G

Before performing any maintenance, make sure the tool is unplugged from the power supply. Failure to heed this warning could result in serious personal injury.

C A U T I O N

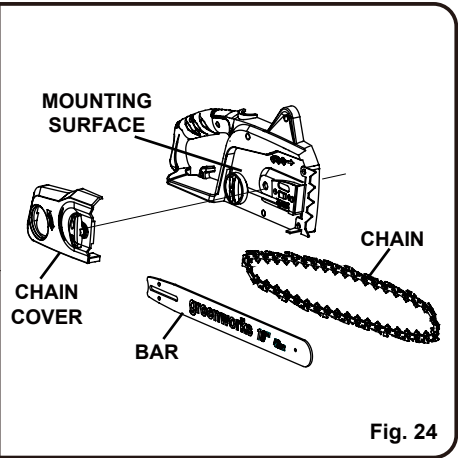
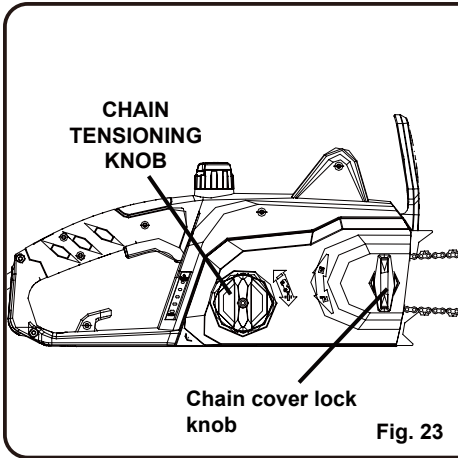
Always wear gloves when handling the bar and chain. These components are sharp and may contain burrs.

W A R N I N G

Never touch or adjust the chain while the motor is running. The saw chain is very sharp. Always wear protective gloves when performing maintenance involving the chain to avoid possible serious lacerations.

*NOTE: When replacing the guide bar and chain, always use the specified bar and chain listed in the **Bar and Chain Combinations** section later in this manual.*

MAINTENANCE

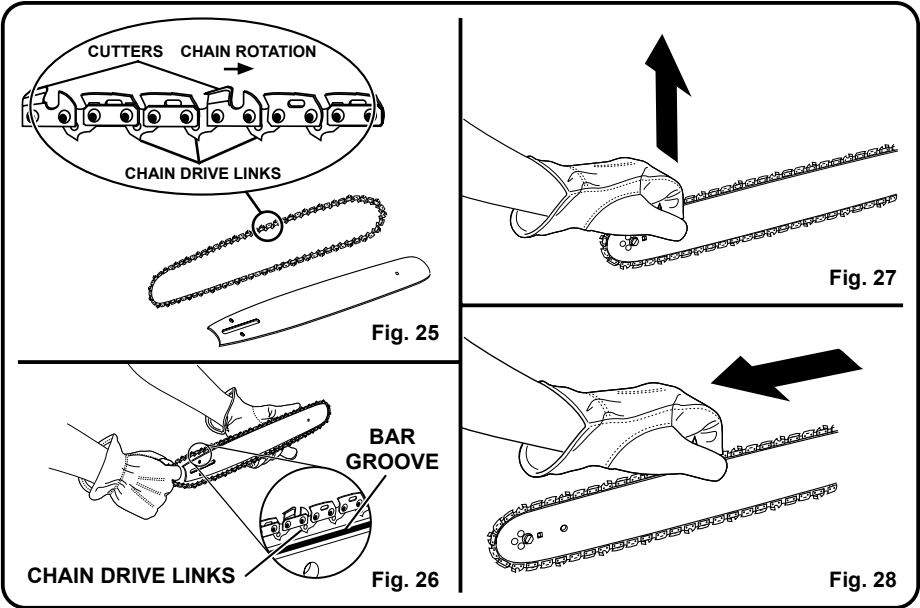


- Disconnect chainsaw from power supply.
- Rotate the chain cover lock knob counter-clockwise, and remove knob. (See Fig.23)
- Remove the chain cover. (See Fig.24)
- Remove the bar and chain from the mounting surface. (See Fig.24)
- Remove the old chain from the bar. (See Fig.24)
- Lay out the new saw chain in a loop, and straighten any kinks. The cutters should face in the direction of chain rotation. If they face backwards, turn the loop over. (See Fig.25)
- Place the chain drive links into the bar groove as shown.(See Fig.26)

NOTE: Make certain of direction of chain.

- Position the chain so there is a loop at the back of the bar. (See Fig.26)
- Hold the chain in position on the bar, and place the loop around the sprocket.
- Fit the bar flush against the mounting surface so that the bar studs are in the long slot of the bar.
- When placing the bar on the bar studs, ensure that the adjusting pin is in the chain tension pin hole.
- Replace the chain cover.
- Replace the chain cover lock knob. Rotate knob clockwise to tighten. The bar should still be free to move for tension adjustment.
- Remove all slack from the chain by turning the chain tensioning knob clockwise until the chain seats snugly against the bar with the drive links in the bar groove.
- Lift the tip of the guide bar up to check for sag. (See Fig.27)

MAINTENANCE



- Release the tip of the guide bar, and turn the chain tensioning knob 1/2 turn clockwise.
- Hold the tip of the guide bar up and tighten the chain cover lock knob.

The chain is correctly tensioned when there is no sag on the underside of the guide bar, and when the chain is snug, but can be turned by hand without binding. (See Fig. 28)

NOTE: If chain is too tight, it will not rotate. Loosen the chain cover lock knob slightly, and turn the chain tensioning knob 1/4 turn counter-clockwise. Lift the tip of the guide bar up, and retighten the chain cover lock knob. Ensure that the chain will rotate without binding.

ADJUSTING THE CHAIN TENSION (See Fig. 29 - 30.)

- Stop the motor and disconnect from power supply before setting the chain tension.
- Slightly loosen the chain cover lock knob.

MAINTENANCE

- Turn the chain tensioning knob clockwise to tension the chain.

NOTE: A cold chain is correctly tensioned when there is no slack on the underside of the guide bar, the chain is snug, and it can be turned by hand without binding.

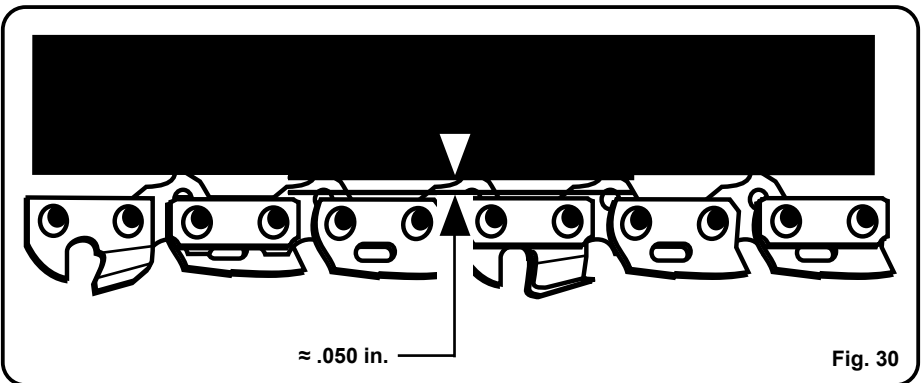
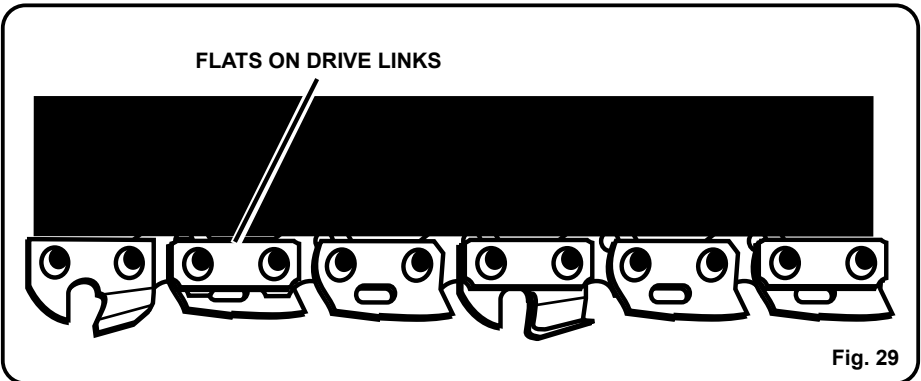
- Rotate the chain cover lock knob clockwise to secure. Retension the chain whenever the flats on the drive links hang out of the bar groove.

NOTE: During normal saw operation, the temperature of the chain increases. The drive links of a correctly tensioned warm chain will hang approximately 1/16" (1.3 mm) out of the bar groove.

NOTE: New chains tend to stretch. Check the chain tension frequently and tension as required.

⚠ CAUTION

A chain tensioned while warm may be too tight upon cooling. Check the "cold tension" before next use.



MAINTENANCE

⚠ CAUTION

Make sure the chainsaw is disconnected from the power supply before you work on the saw.

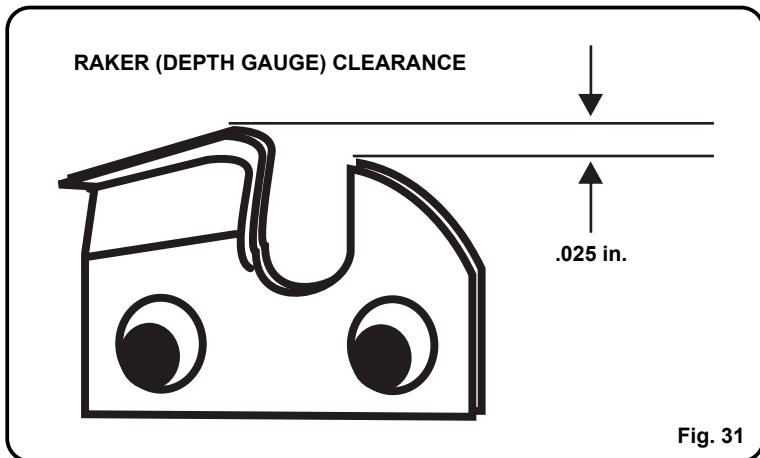
CHAIN MAINTENANCE (See Fig. 31)

Use only a low-kickback chain on this saw. This fast-cutting chain provides kickback reduction when properly maintained. For smooth and fast cutting, maintain the chain properly. The chain requires sharpening when the wood chips are small and powdery, the chain must be forced through the wood during cutting, or the chain cuts to one side. During maintenance of the chain, consider the following:

- Improper filing angle of the side plate can increase the risk of severe kickback.
- Raker (depth gauge) clearance.
- Too low increases the potential for kickback.
- Not low enough decreases cutting ability.
- If the cutter teeth hit hard objects such as nails and stones, or are abraded by mud or sand on the wood, have an authorized service centre sharpen the chain.

NOTE: Inspect the drive sprocket for wear or damage when replacing the chain. If signs of wear or damage are present in the areas indicated, have the drive sprocket replaced by an authorized service centre.

NOTE: If you do not fully understand the correct procedure for sharpening the chain after reading the instructions that follow, have the saw chain sharpened by an authorized service centre or replace with a recommended low-kickback chain.



MAINTENANCE

SHARPENING THE CUTTERS (See Fig. 32 - 35.)

Be careful to file all cutters to the specified angles and to the same length, because fast cutting can only be obtained when all cutters are uniform.

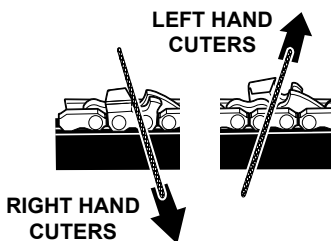
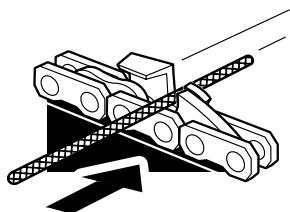
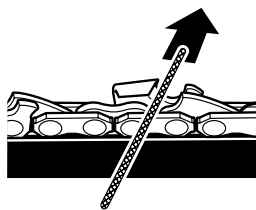
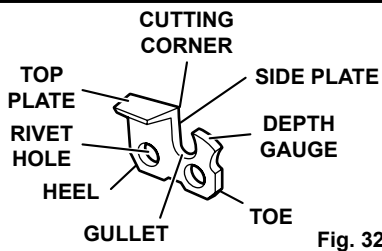
CAUTION

Make sure the chainsaw is disconnected from the power supply before you work on the saw.

WARNING

The saw chain is very sharp. Always wear protective gloves when performing maintenance involving the chain to prevent serious personal injury.

- Tension the chain prior to sharpening. Refer to Adjusting The Chain Tension.
- Use a 5/32" (4 mm) diameter round file and holder. Do all of your filing at the midpoint of the bar.
- Keep the file level with the top plate of the tooth. Do not let the file dip or rock.
- Use light but firm pressure. Stroke toward the front corner of the tooth.
- Lift the file away from the steel on each return stroke.
- Put a few firm strokes on every tooth. File all left-hand cutters in one direction. Then move to the other side and file the right-hand cutters in the opposite direction.
- Remove filings from the file with a wire brush.



MAINTENANCE

CAUTION

A dull or improperly sharpened chain can cause excessive motor speed during cutting, which may result in severe motor damage.

WARNING

Improper chain sharpening increases the potential for kickback.

WARNING

Failure to replace or repair a damaged chain can cause serious injury.

TOP PLATE FILING ANGLE

- CORRECT 30° – file holders are marked with guide marks to align file properly to produce correct top plate angle.
- LESS THAN 30° – for cross cutting.
- MORE THAN 30° – feathered edge dulls quickly.
- Remove filings from the file with a wire brush.

SIDE PLATE ANGLE

- CORRECT 80° – Produced automatically if you use the correct diameter file in the file holder.
- HOOK – “Grabs” and dulls quickly; increases the potential for KICKBACK. Results from using a file with a diameter too small or a file held too low.
- BACKWARD SLOPE – Needs too much feed pressure; causes excessive wear to the bar and chain. Results from using a file with a diameter too large or file held too high.

MAINTENANCE

MAINTAINING DEPTH GAUGE CLEARANCE

- Maintain the depth gauge at a clearance of .025" (.6 mm). Use a depth gauge tool for checking the depth gauge clearances.
- Every time the chain is filed, check the depth gauge clearance.
- Use a flat file and a depth gauge jointer to lower all gauges uniformly. Use a .025" (.6 mm) depth gauge jointer. After lowering each depth gauge, restore original shape by rounding the front. Be careful not to damage adjoining drive links with the edge of the file.
- Depth gauges must be adjusted with the flat file in the same direction the adjoining cutter was filed with the round file. Use care not to contact cutter face with flat file when adjusting depth gauges.

MAINTAINING THE GUIDE BAR (See Fig. 36)

⚠ CAUTION

Make sure the chain has stopped before you do any work on the saw.

Every week of use, reverse the guide bar on the saw to distribute the wear for maximum bar life. The bar should be cleaned every day of use, and checked for wear and damage. Feathering or burring of the bar rails is a normal process of bar wear. Such faults should be smoothed with a file as soon as they occur. A bar with any of the following faults should be replaced:

- Wear inside the bar rails that permits the chain to lay over sideways
- Bent guide bar
- Cracked or broken rails
- Spread rails

Lubricate guide bars weekly with a sprocket at their tip. Using a grease syringe, lubricate weekly in the lubricating hole. Turn the guide bar and check that the lubrication holes and chain groove are free of impurities.

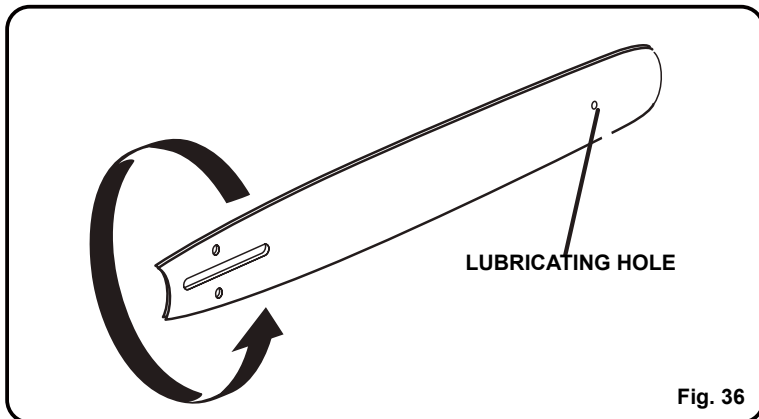


Fig. 36

MAINTENANCE

STORING THE PRODUCT

- Clean all foreign material from the product. Store it in a well-ventilated place that is inaccessible to children. Keep away from corrosive agents such as garden chemicals and de-icing salts.
- Always place the scabbard on the bar and chain before storing or transporting the chainsaw
- Use caution to avoid the sharp teeth of the chain

TROUBLESHOOTING

<u>PROBLEM</u>	<u>CAUSE</u>	<u>REMEDY</u>
Bar and chain running hot and smoking.	Check chain tension for over-tight condition Chain-oil tank empty.	Loosen Chain Tension Fill Chain-oil tank
Motor runs, but chain is not rotating.	Chain tension too tight. Check guide bar and chain assembly. Chain Brake Is Engaged	Re-tension chain, refer to adjusting chain tension earlier in the manual. Refer to replacing bar and chain earlier in this manual Dis-engage chain brake, pull towards front handle.
Motor runs, chain rotates but does not cut.	Dull chain. Chain on backwards.	Sharpen chain. Reverse direction of chain.

LIMITED FOUR-YEAR WARRANTY



GREENWORKS™ hereby warrants this product, to the original purchaser with **proof of purchase**, for a period of four (4) years against defects in materials, parts or workmanship. GREENWORKS™, at its own discretion will repair or replace any and all parts found to be defective, through normal use, free of charge to the customer. This warranty is valid only for units which have been used for personal use that have not been hired or rented for industrial/commercial use, and that have been maintained in accordance with the instructions in the owners' manual supplied with the product from new.

ITEMS NOT COVERED BY WARRANTY:

1. Any part that has become inoperative due to misuse, commercial use, abuse, neglect, accident, improper maintenance, or alteration; or
2. The unit, if it has not been operated and/or maintained in accordance with the owner's manual; or
3. Normal wear, except as noted below;
4. Routine maintenance items such as lubricants, chain sharpening;
5. Normal deterioration of the exterior finish due to use or exposure.

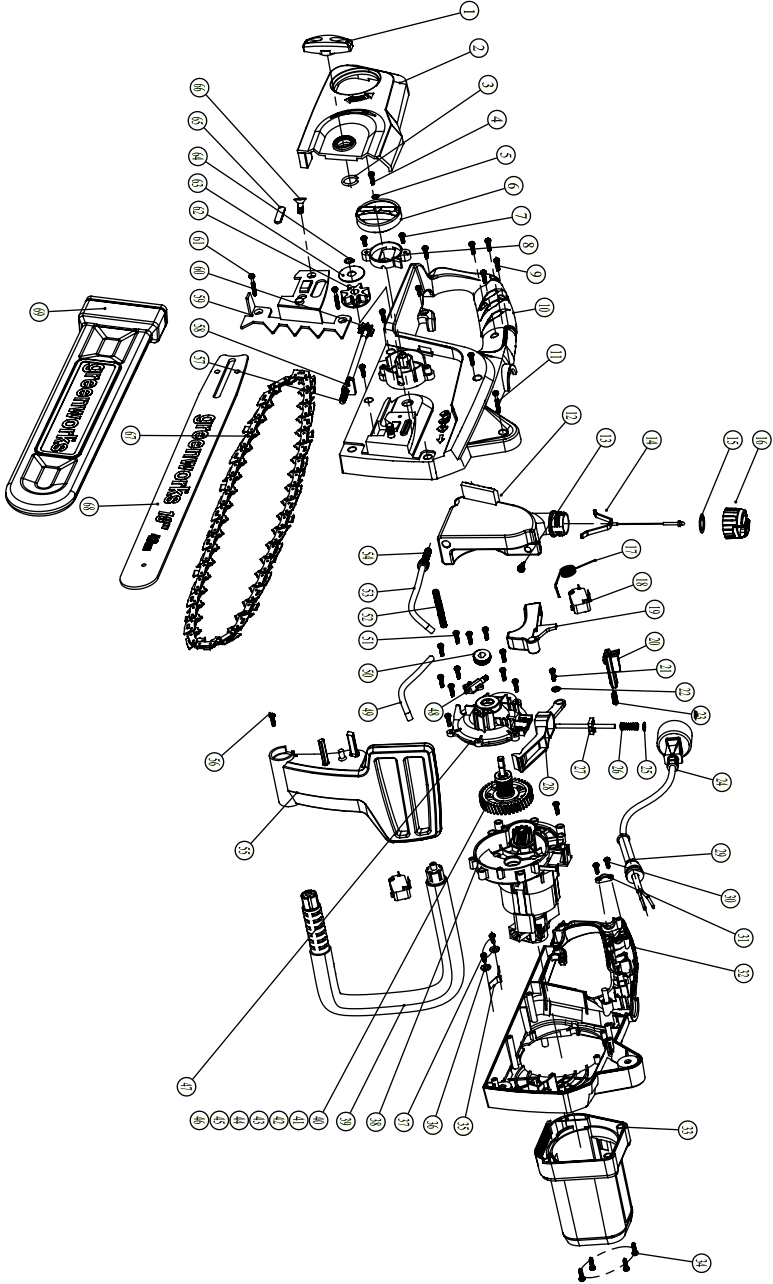
GREENWORKS HELPLINE (1-888-90WORKS):

Warranty service is available by calling our toll-free helpline, 9am to 5pm EST. Monday – Friday at **1-888-909-6757 (1-888-90WORKS)**.

TRANSPORTATION CHARGES:

Transportation charges for the movement of any power equipment unit or attachment are the responsibility of the purchaser. It is the purchaser's responsibility to pay transportation charges for any part submitted for replacement under this warranty unless such return is requested in writing by GREENWORKS.

EXPLODED VIEW



PARTS LIST

ITEM NO.	PART NO.	DESCRIPTION	QTY
1	34129583-2	fasten knob	1
2	341131607	side cover	1
3	32900583	affle ring	1
4	3220313	screw	1
5	32903301A	washer	1
6	34105403-2	tension knob	1
7	3220313	screw	2
8	34111159	clamp	1
9	3220313	screw	8
10	341011067	right housing	1
11	3220404	screw	1
12	34191607	oil tank	1
13	342011607	oil tank inlet valve	1
14	341111607	oil tank wire	1
15	34205154	oil tank cap sealing gasket	1
16	341151607	oil tank cap	1
17	33200420	switch torsion spring	1
18	36301154	micro switch	2
19	341051607	trigger	1
20	341061607	lock-off button	1
21	3220313	screw	1
22	3290750	gasket ø6	1
23	33204154A	lock spring	1
24	36401404A	water proof plug power cord	1
25	3290408	gasket 5	1
26	33208159	spring	1
27	34114159-1	brake rod	1
28	341141607	brake bridge	1
29	34203159	power cord retainer	1
30	32203404	screw	2
31	34115124	cord clamp	1
32	341001067	left housing	1
33	341041067	motor cover	1
34	3220313	screw	4
35	33304404-1	affle spring	1
36	3290750	gasket 6	2
37	32201152	screw	2
38	361011063	chain saw motor	1
39	341021067	aux. handle	1
40	341081607	gear	1
41	332011607	tension spring	1


PARTS LIST

ITEM NO.	PART NO.	DESCRIPTION	QTY
42	332001067	output shaft	1
43	33902159	sleeve	2
44	32101159	bearing 6902	1
45	32103154	bearing 608 2RS	1
46	32901159	retainer ring ø10	1
47	341071067	gear box cover	1
48	341121067	gear oil pump assy	1
49	34205159	output oil tube	1
50	341101607	oil pump rod	1
51	3220313	screw	16
52	33209159	spring	1
53	34202404	input oil tube	1
54	32208159	filter spring	1
55	341031067	front handle baffle	1
56	3220404	screw	1
57	32201404	tensioning gear shaft	1
58	33302404	tension block	1
59	333011607	bar gasket	1
60	33904159	tension gear	1
61	32204404	screw	2
62	33905159	7 teeth sprocket	1
63	33302102	sprocket washer	1
64	3290875	clamp spring ø10	1
65	342001067	oil seal gasket	1
66	32201329	screw	1
67	311011067	18" chain	1
68	311001067	18" bar	1
69	341161067	18" scabbard	1



TOLL-FREE HELPLINE: 1-888-90WORKS (888.909.6757)

Rev: 01 (07-23-13)

 Printed in China on 100% Recycled Paper